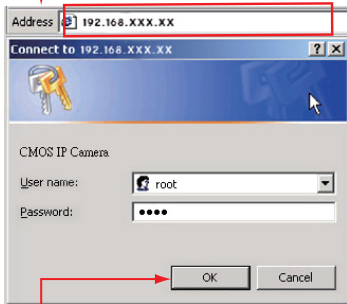


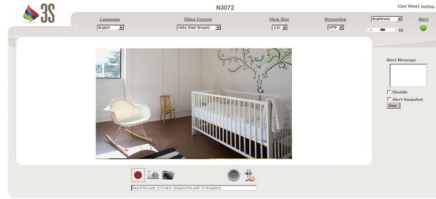
Step4 Enter the Main Page

- 1 Start**
Open a new Internet Explorer window.
- 2 Enter the IP address and login**
Enter the new IP address and key in the username "root" and password "root".
 - Enter the IP address that you have just set.



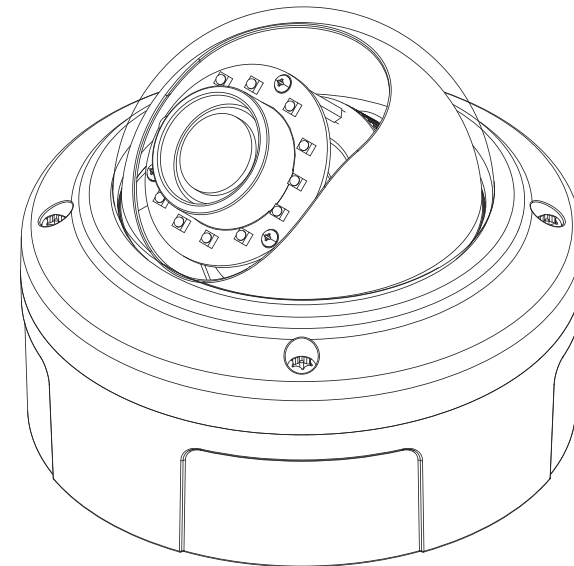
- When the login screen appears, key in **root** in the User Name and Password fields. **Click OK.**

- 3 Enter the control screen**
You can enter the control screen when the username and password are confirmed.



Quick Guide

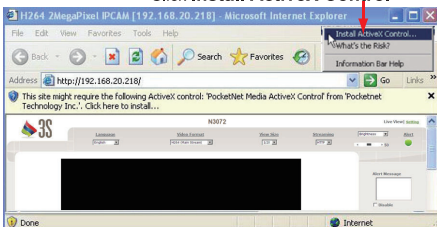
N3072 Dome Network Camera



Step5 Install Internet Explorer ActiveX Controller

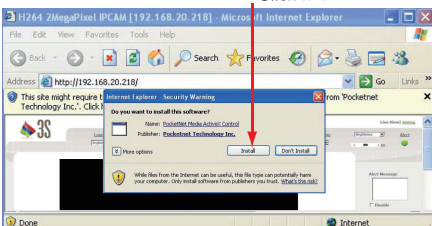
- 1 Install ActiveX**
When the username and password are confirmed, a control setup screen pops up under the IE address bar. Click "Install ActiveX Control" to install the controls.

- **Click Install ActiveX Control**



- 2 The security warning screen apps. Click Install.**
The ActiveX Control is named ActiveX Control. This software is well certified. You can use it without any doubts on its validity.

- **Click Install**



- 3 Camera operation and interface**
When ActiveX Control is installed successfully, you can see the camera image and interface.
 - Select the HTTP mode if you cannot see the image.

